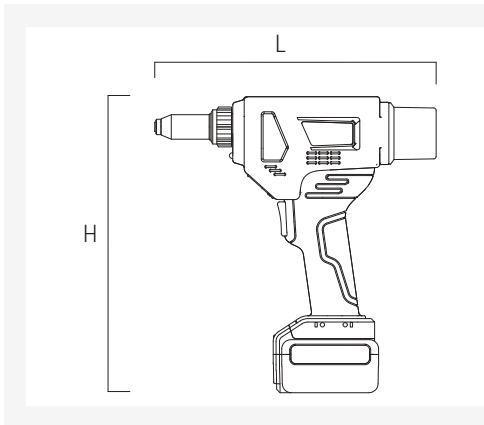




**GO-BR2 LITHIUM-ION CORDLESS RIVET TOOL**



**RIVETING CAPACITY FOR BLIND RIVETS**

ø 5/32" up to 1/4"  
ø 4.0 up to 6.4 mm  
All Materials



<b>WEIGHT INCL. BATTERY</b>	3.52 lbs	1.6 kg
<b>L x H</b>	10.19" x 9.84"	259 x 250 mm
<b>STROKE (B / S)</b>	(B = 1.02" / S = 0.71")	(B = 26 mm / S = 18 mm)
<b>PULLING FORCE</b>	4046 lbf	18.0 kn
<b>MATERIAL</b>	PE	
<b>ITEM CODE</b>	22770 10020	



**INCLUDED EQUIPMENT SET**

<b>NOSE PIECES</b>	5/32", 3/16", 1/4" 3/16", 1/4" (Monobolt®) 3/16", 1/4" (GO-Lock/Premium)	4.0, 4.8, 6.0, 6.4 mm 4.8, 6.4 mm (Monobolt®) 4.8, 6.4 mm (GO-Lock / Premium)
<b>QUICK CHANGE BATTERY</b>	Li-Ion 18 V / 2.0 Ah	
<b>CHARGER</b>	18 V Li-Ion	
<b>ABS CASE</b>	1.24" x 0.98" x .26"	38 x 30 x 8 cm

**GO-BR2 LITHIUM-ION CORDLESS RIVET TOOL**



LED Light for better visibility of work area

Control unit for optional stroke settings, as well as rivet mandrel holding function

Trigger

Slide-in battery (18V Li-ION 2.0 Ah / 36 Wh) with capacity indicator

Transparent, removable mandrel collector

Brushless motor with high durability

Robust housing with ergonomic soft grip design



**DELIVERED WITH:**

- |              |                               |
|--------------|-------------------------------|
| <b>5/32"</b> | <b>3/16" GO-LOCK/ Premium</b> |
| <b>3/16"</b> | <b>3/16" M-Lock</b>           |
| <b>6,0mm</b> | <b>1/4" GO-LOCK/ Premium</b>  |
| <b>1/4"</b>  | <b>1/4" M-Lock</b>            |



**WATCH VIDEO HERE:**



**GO-BR2**